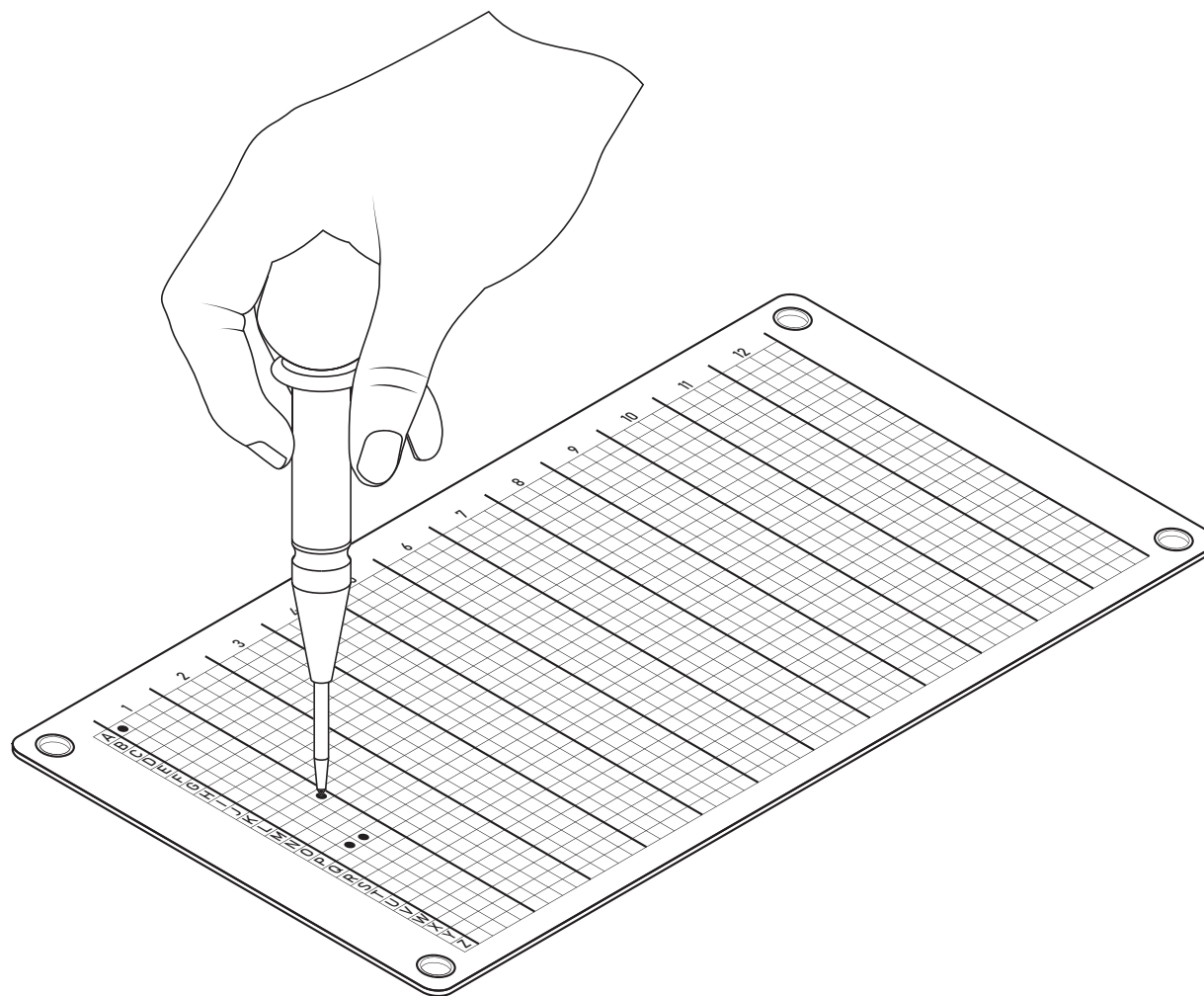


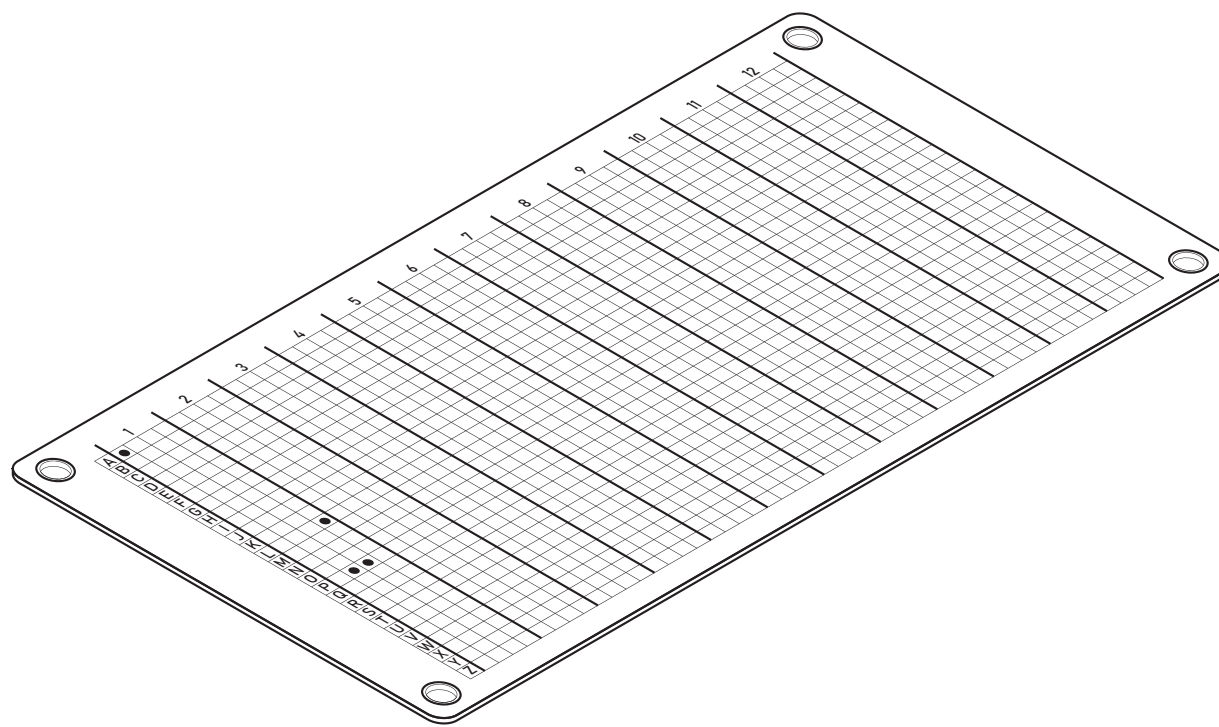
STEP 1

You only need the first four letters of the word



STEP 2

Press the punch down in desired spot



STEP 3

Done! Your seed is now safe!